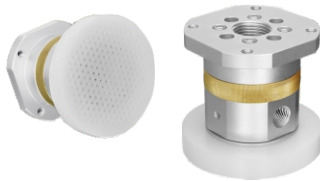


# Composite Suction Cups

## Composite Suction Cups MD-POM

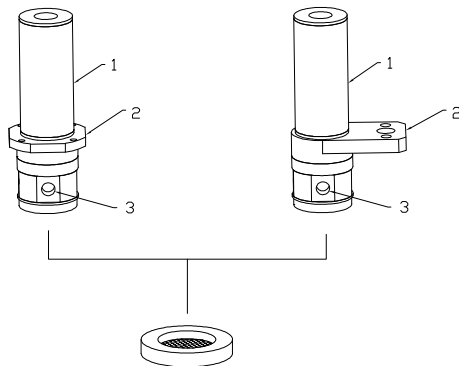
Composite Suction Cups MD-POM



### Introduction and application

- ◆ Handling boards without electronic components and ultra-thin and fragile foils
- ◆ Size can be customized

System Design Composite Suction Cups MD-POM



### Design

- ◆ Silencer(1)
- ◆ (2) Axial mounting (A) or lateral mounting (S)
- ◆ (3) compressed air intake

### Ordering Data Composite Suction Cups MD-POM

Type	Ordering Data	Type	Ordering Data
MD-A-K-M-40 POM	90.13.01.00033	MD-A-K-M-60 POM	90.13.01.00037
MD-A-B-M-40 POM	90.13.01.00034	MD-A-B-M-60 POM	90.13.01.00038
MD-S-K-M-40 POM	90.13.01.00035	MD-S-K-M-60 POM	90.13.01.00039
MD-S-B-M-40 POM	90.13.01.00036	MD-S-B-M-60 POM	90.13.01.00040

Note: A represents the axial installation of the upper flange; S represents the lateral installation of the upper flange; K represents the adjustable vacuum generator; B represents the non-adjustable vacuum generator; M represents the lower flange; (detailed data reference page P)

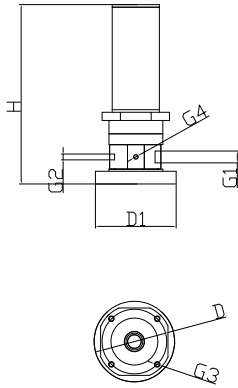
# Composite Suction Cups

## Composite Suction Cups MD-POM

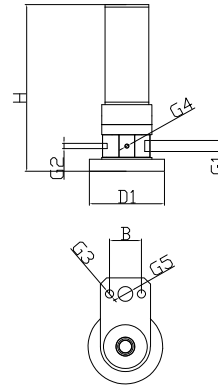


### Design Data Composite Suction Cups MD-POM

MD-A



MD-S



Type	Dimensions[mm]									
	H	D	D1	G1	G2	G3	G4	G5	B	
MD-A-K-M-40 POM	133.2	48	40	G1/8	M5	M5	M4	-	-	
MD-A-B-M-40 POM	123	48	40	G1/8	M5	M5	M4	-	-	
MD-S-K-M-40 POM	133.2	-	40	G1/8	M5	φ 6.6	M4	G1/4	25.5	
MD-S-B-M-40 POM	123	-	40	G1/8	M5	φ 6.6	M4	G1/4	25.5	
MD-A-K-M-60 POM	133.2	48	60	G1/8	M5	M5	M4	-	-	
MD-A-B-M-60 POM	123	48	60	G1/8	M5	M5	M4	-	-	
MD-S-K-M-60 POM	133.2	-	60	G1/8	M5	φ 6.6	M4	G1/4	25.5	
MD-S-B-M-60 POM	123	-	60	G1/8	M5	φ 6.6	M4	G1/4	25.5	

Combined Suction Cups

Vacuum Suction Cups

Composite Suction Cups

Special Grippers

Vacuum Gripping Systems

Mounting Elements

Vacuum Generators

Valve Technology

Switch And Monitoring

Vacuum Filters